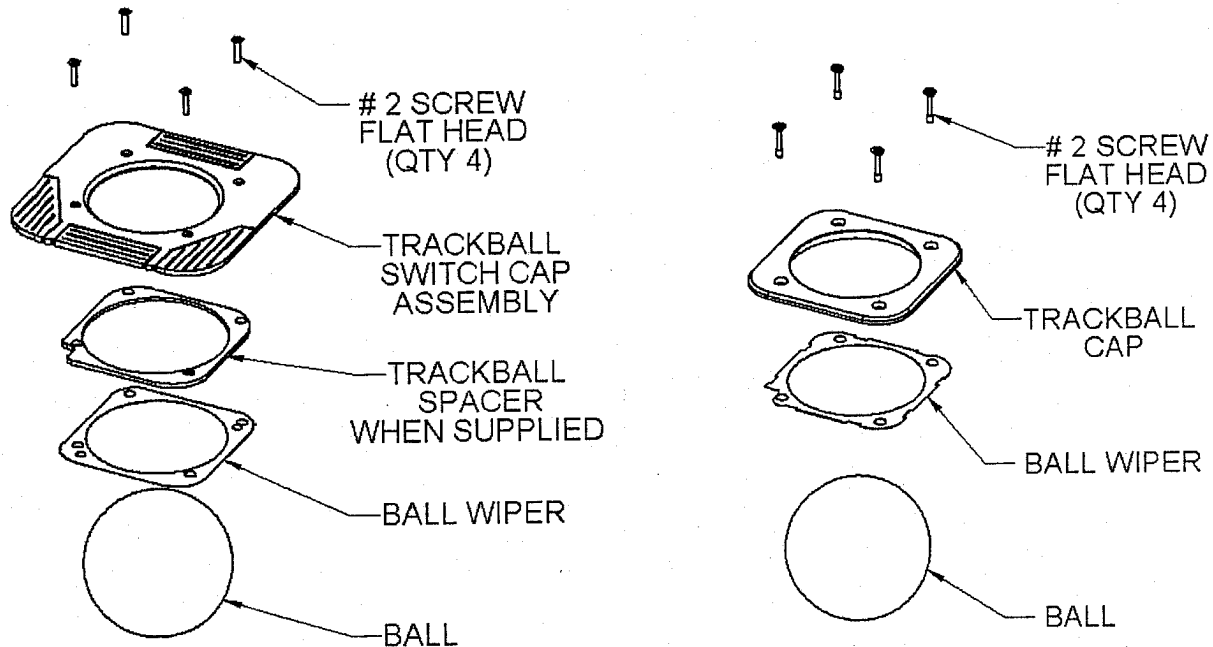


Cortron

TRACKBALL CLEANING AND ASSEMBLY INSTRUCTIONS

DuraTrackball sizes: 1 3/8", 1 1/2", 2" and 2 1/2"



CLEANING INSTRUCTIONS:

Preface: The trackball assembly components may require cleaning if ball cursor movement does not track properly. If cursor skips, does not move in certain directions, has excessive vibration or feels rough then check ball components for dirt build-up. Level of use and environmental conditions will dictate frequency of cleaning required. The ball wiper is designed to reduce the frequency of cleaning by continuously wiping the ball surface.

- * Unscrew 4 trackball switch cap or trackball cap retaining screws (#2 Phillips). Remove screws when captive type screws are not provided.
- * Remove trackball switch cap or trackball cap, ball wiper, and ball.
- * Clean trackball switch cap, ball wiper and ball by gently rubbing with clean cloth or scraping with appropriate non-metallic tool. Alcohol on a swab or cloth may help remove dirt or sticky substances.
- * Clean dirt from two shafts and one idler bearing. This may require some scraping if dirt is caked on or embedded on surfaces. Alcohol on a swab or cloth may help remove dirt.

ASSEMBLY INSTRUCTIONS:

The new switch cap assembly has (4) brass inserts (when applicable). When supplied be sure that all (4) brass inserts are in the switch cover (these brass inserts are pressed in place for ease in transport and handling). After cleaning the product reassemble with the following procedure:

- * Replace ball.
- * Replace ball wiper with contour of seal matching contour of ball.
- * Position trackball switch cap or trackball cap over enclosure, make sure that each brass insert (when applicable) fits into hole of enclosure and rests on trackball housing.
- * If inserts do not align properly or do not fit, rework to the enclosure may be required for products manufactured prior to 1995, contact Cortron for instructions if needed.
- * Secure with 4 screws. Do not over-tighten.

Cortron, 1 Aegean Drive, Methuen, MA 01844-1560 USA
Telephone (USA) 978-975-5445 Fax (USA) 978-975-0357
Website: www.cortroninc.com E-Mail: sales@cortroninc.com

MFG40005 Rev. A